



GRYPHON™

THE NEXT GENERATION OF COIN VALIDATION

Leading the market in speed, security, and recognition, CPI delivers the next generation of coin acceptance technology

- CPI Synq™ module compatibility provides access to mobile maintenance and repair guides
- Mobile device connectivity, paired with Simplifi™ mobile app, reduces at-machine service time by up to 50%
- Three motors deliver faster payout and increased reliability
- Proprietary sensing technology delivers industry leading fraud protection and future-proofed operation
- Enhanced configuration options allow 12% more capacity for more payout flexibility and fewer change-fill visits
- USB connection ensures seamless upgrades and data retrieval, reducing at-machine upgrade time by up to 80%

Pair the Gryphon coin changer with the CPI Synq module for a fully-connected solution.



Gryphon Coin Changer Specifications & Benefits

Configuration and Options

Coin Tubes

- Six

Power Consumption

- Standby: 5 Watts
- Acceptance: 10 Watts
- Full Stack Max: 50 Watts

Specifications

Acceptance Rate

97% or greater for all coins at nominal conditions.

Power Requirements

24VDC, 34 VDC MDB

Interfaces

MDB, EXEC, BDV, and VCCS

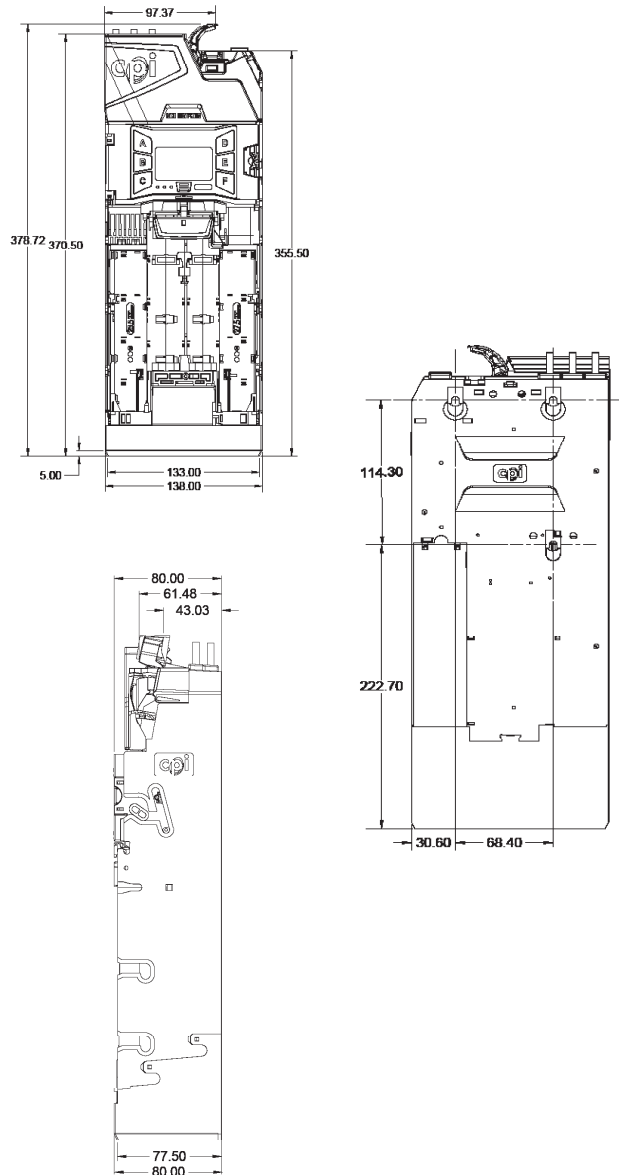
Connectivity

USB, IrDA, Bluetooth

Support Tools

STS Software, CPI Synq

Visit CranePI.com/Gryphon to learn more.



CPI has made every effort to assure that the information in this document is accurate. However, we cannot be held responsible for any errors or omissions. © 2019 Crane Payment Innovations. All rights reserved.

CranePI.com